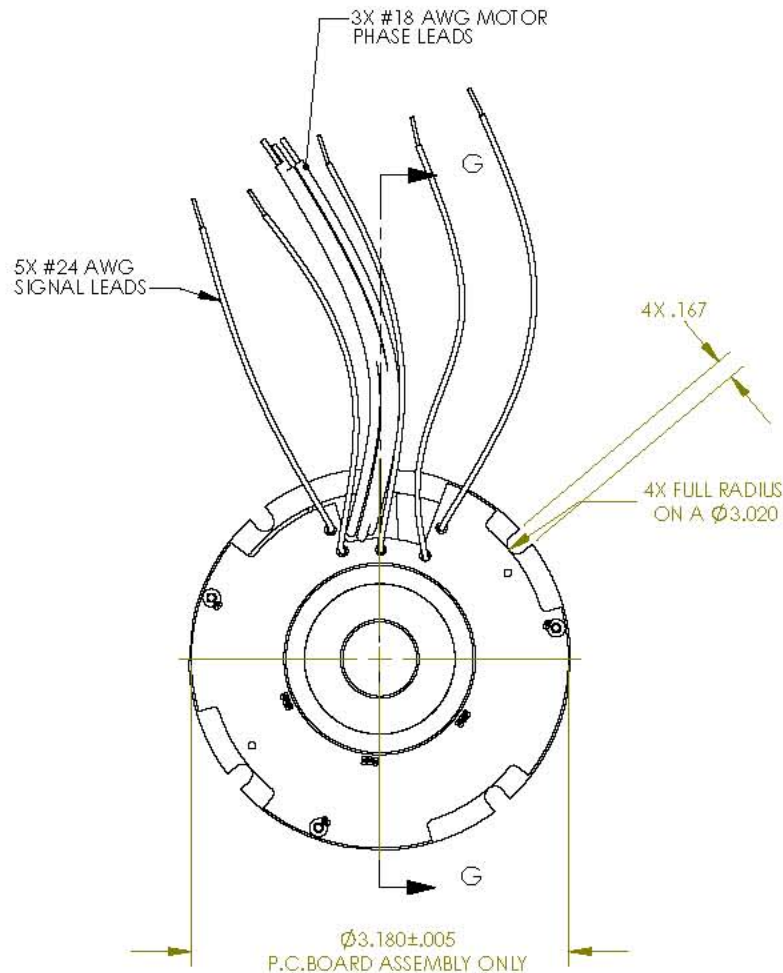
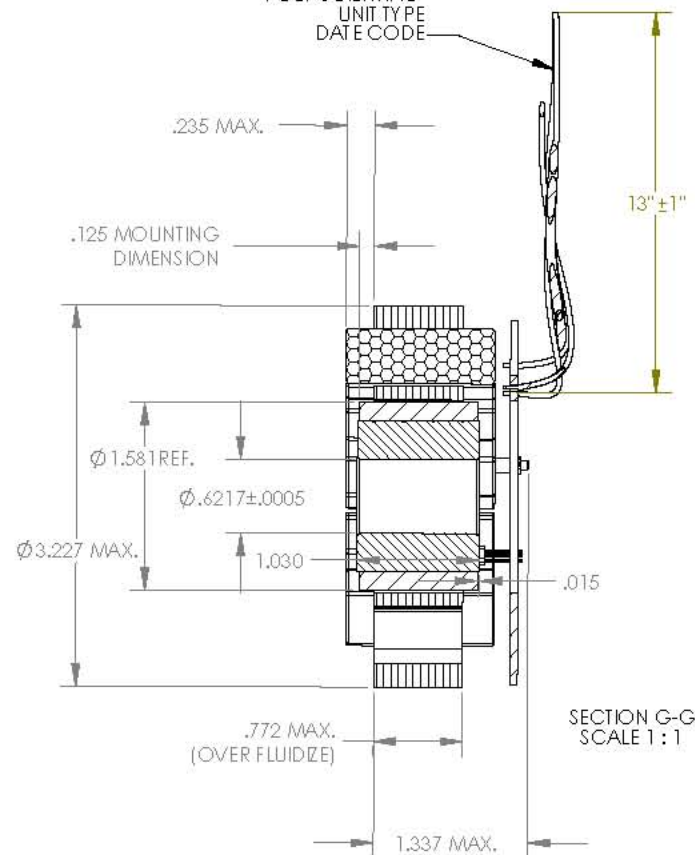


THIS DRAWING CONTAINS INFORMATION PROPRIETARY TO NORTHROP GRUMMAN  
 HIGH POLYSCIENTIFIC. ANY REPRODUCTION OR DISSEMINATION OF THIS DRAWING  
 WITHOUT THE EXPRESS WRITTEN PERMISSION OF NORTHROP GRUMMAN HIGH  
 POLYSCIENTIFIC MAY CONSTITUTE A CRIME UNDER FEDERAL LAWS.

REVISIONS				
ZONE	REV.	DESCRIPTION	DATE	APPROVED
	B	REV/EON MU23839	DRM	06/06/03

LABEL TO BE APPLIED  
 TO LEADS PRINTED  
 AS FOLLOWS:

"POLY-SCIENTIFIC"  
 UNIT TYPE  
 DATE CODE



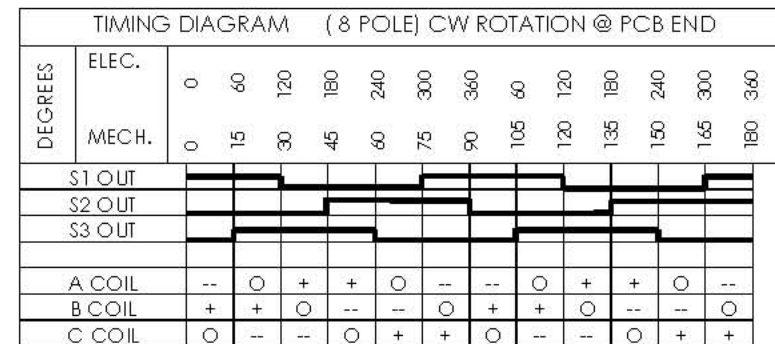
NOTES: UNLESS OTHERWISE SPECIFIED

1. INTERPRET DRAWING PER ANSI Y14.5.
2. OPEN COLLECTOR OUTPUTS. USE PULL-UP RESISTORS BETWEEN V<sub>CC</sub> AND OUTPUTS.
3. DIRECTION OF ROTOR ROTATION: CW WHEN VIEWED FROM P.C.B. ASSEMBLY SIDE
4. MAXIMUM WINDING TEMPERATURE OF 155 °C.
5. INSIDE DIAMETER OF ROTOR TO BE MOUNTED CONCENTRIC TO THE STATOR O.D. WITHIN Ø .005 AND WITHIN THE AXIAL MOUNTING DIMENSION AS SHOWN.
6. RECOMMENDED MOUNTING Ø 3.229 ± .001.

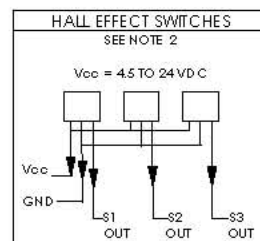
ITEM IS MANUFACTURED AND SHIPPED AS AN ASSEMBLY KIT, WHEN ORDERING A KIT OR SEPARATE ROTOR AND STATOR PARTS, ORDER PART NUMBERS AS SHOWN

KIT PART NO.	STATOR ASSY	ROTOR ASSY
BN34-25ZP-01LH	F380129-001	F320356-001
BN34-25ZP-02LH	F380129-002	F320356-001
BN34-25ZP-03LH	F380129-003	F320356-001

WIRE COLOR	CONNECTION
YELLOW	V <sub>CC</sub>
GREY	GND
RED	A COIL
BLACK	B COIL
GREEN	C COIL
BLUE	S2 OUT
BROWN	S1 OUT
ORANGE	S3 OUT



PERFORMANCE	SYMBOL	UNITS	TOLERANCE	VALUE		
				-01	-02	-03
TERMINAL VOLTAGE	V	VOLTS DC	NOMINAL	24	50	100
PEAK TORQUE	T <sub>P</sub>	OZ-IN	MAXIMUM	310	310	310
TORQUE SENSITIVITY	K <sub>T</sub>	OZ-IN/AMP	±10%	3.78	8.50	17.48
BACK EMF CONSTANT	K <sub>E</sub>	VOLTS/1000RPM	±10%	2.79	6.29	12.92
TERMINAL RESISTANCE	R <sub>m</sub>	OHMS	±12%	0.064	.253	1.120
TERMINAL INDUCTANCE	L <sub>m</sub>	MILLIHENRIES	±30%	0.012	.62	2.62
MOTOR CONSTANT	K <sub>m</sub>	OZ-IN/√WATTS	NOMINAL	14.9	16.9	16.5



MOOG COMPONENTS GROUP

BRUSHLESS D.C. MOTOR

CAD GENERATED DRAWING, DO NOT MANUALLY UPDATE

APPROVALS	DATE
R. MARTIN	03/25/03
D. L. SAMS	4/24/03
M. STARKS	4/22/03
D. L. SAMS	4/24/03
D. GRIFFIN	4/22/03
B. LITTLE	4/24/03

DO NOT SCALE DRAWING

4H618

BN34-25ZP-[] [] LH

SHEET 1 OF 1